

Installation Instructions

安裝說明書

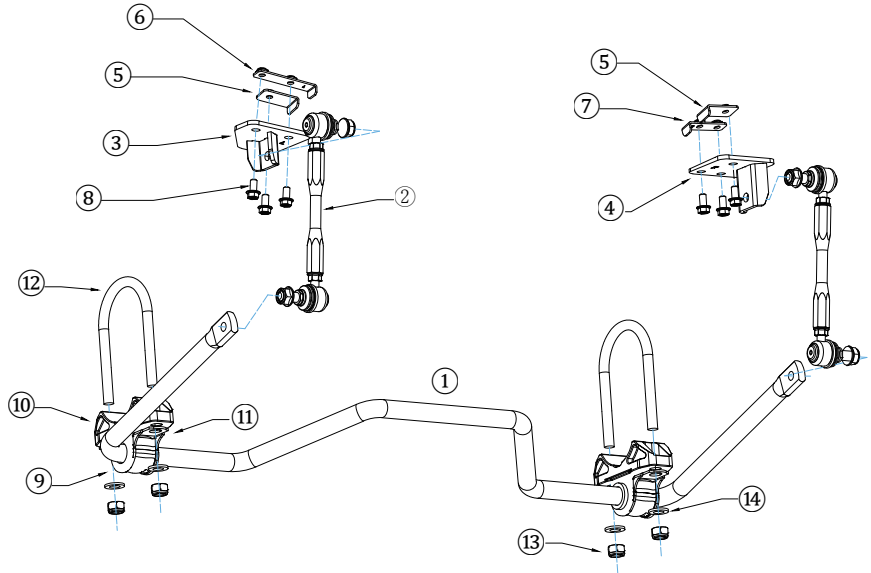
Rear Add-on Sway Bar
後加裝型防傾桿
#Q1465

Application 適用車型

Mercedes-Benz G-Class W463A 2018-2024

Components 內含配件

- ① Sway Bar 防傾桿 1pcs
- ② End Link 李仔串 2pcs
- ③ End Link Mount -LH 李仔串固定座-左 1pcs
- ④ End Link Mount -RH 李仔串固定座-右 1pcs
- ⑤ Nut Plate1-LH/RH 螺帽鎖片1-左/右 2pcs
- ⑥ Nut Plate2-LH 螺帽鎖片2-左 1pcs
- ⑦ Nut Plate2-RH 螺帽鎖片2-右 1pcs
- ⑧ Bolts-Flange 螺絲-凸緣 (M8x1.25x20) 6pcs
- ⑨ Bush 橡皮 2pcs
- ⑩ Bush Mount 固定底座 2pcs
- ⑪ Bush Clamp 橡皮固定環 2pcs
- ⑫ U-Bolt U形螺絲 (M12x1.25) 2pcs
- ⑬ Nut-Nylock 螺帽-尼龍 (M12x1.25-19x12) ... 4pcs
- ⑭ Washer 華司 (24x13x2.6) 4pcs



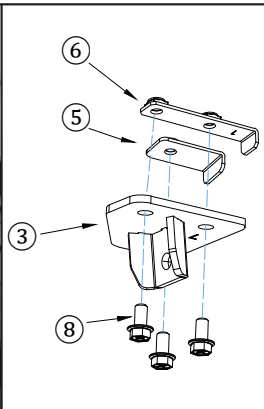
Caution 注意事項

- Installation is recommended to be performed by licensed mechanics with necessary tools to ensure safety. Incorrect installation may cause injury, damage to the product or vehicle.
- Note the routing of wires and cables before installation, or please refer to factory manual.
- Tighten bolts and nuts firmly by using handtools, and with specified torque if mentioned.
- 安裝建議由合格的技師及工具執行以確保安全，安裝錯誤可能對人員、產品及車輛造成傷害。
- 安裝前請事先記下線路的安裝路徑及位置以維持原廠配置，有疑問時請參考原廠手冊。
- 安裝過程請使用手動工具確實鎖緊螺帽及螺絲，如有特別註明請依照說明指示的扭力上鎖。

Instructions 安裝說明

1. Insert the ⑤⑥⑦ nut plates to the location as shown, then install the ③④ end link mounts to chassis using ⑧ bolts.

將⑤⑥⑦螺帽鎖片置入照片中的位置，並使用⑧螺絲，將③④李仔串固定座對鎖至車體。



2. Attach the upper end of the ② end links to the ③④ end link mounts.

將②李仔串上端安裝至③④李仔串固定座。



Instructions 安裝說明

3. Place the ⑫ U-bolts onto both sides of rear axle.
For the RH side please be careful not to tear or damage the wires.

將⑫ U型螺絲安裝至後輪軸，右邊車上原有的線距離較近，安裝須注意閃避避免拉扯及損壞。



4. Attach the ④ Sway bar to the lower ends of the ② end links.
Then install the ⑨ bush and ⑪ bush clamps to the bar.

將④防傾桿連接至李子串下端，並於桿身上安裝⑨橡皮及⑪固定環。



5. Use ⑬ nuts and ⑭ washers, install the ⑨ bushes, ⑪ clamps and ⑩ mounts to the U-bolts to secure the sway bar to the rear axle.

使用⑬螺帽及⑭華司，將⑨橡皮、⑪固定環及⑩固定底座鎖至U形螺絲，將桿身固定於後輪軸上。



► Illustration of installed state
安裝完成示意圖