

Installation Instructions

安裝說明書

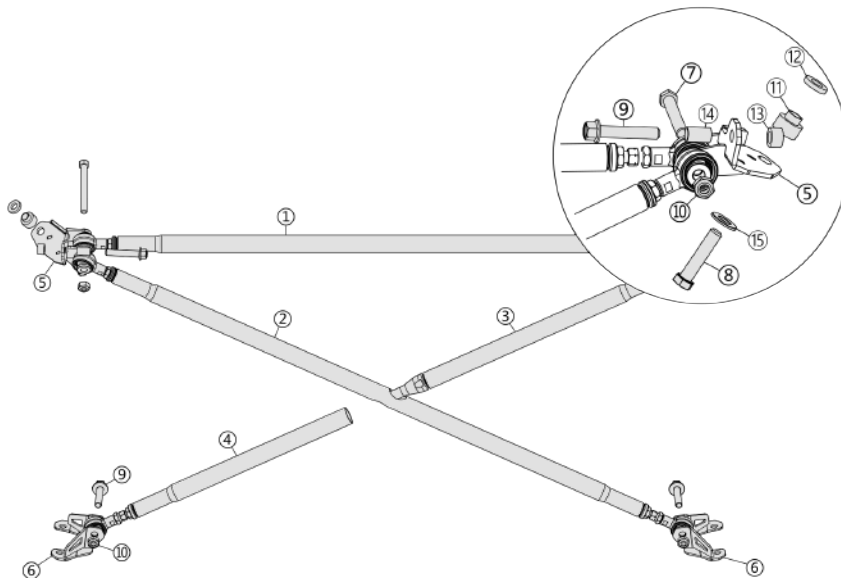
REAR CROSS BRACE
後廂X型拉桿
#Q1504

Application 適用車型

Honda Civic 6th 1996-2000 EK3/4/5/9, EJ6/7/8/9, EM1

Components 內含配件

- ① Center bar-Top 中間桿-上1pcs
- ② Center bar-LH 中間桿-左1pcs
- ③ Center bar-RH upper 中間桿-右上1pcs
- ④ Center bar-RH lower 中間桿-右下1pcs
- ⑤ Upper brackets (RH+LH) 上支架 (左+右)2pcs
- ⑥ Lower brackets (RH=LH) 下支架 (左=右)2pcs
- ⑦ Bolts-Hex 螺絲-六角 (M10x1.25x90)2pcs
- ⑧ Bolts-Hex 螺絲-六角 (7/16"-20UNFx50)2pcs
- ⑨ Bolts-Flange 螺絲-凸緣 (M10x1.25x55)4pcs
- ⑩ Nut-Nylock 螺帽-尼帽 (M10x1.25-17x10) ...4pcs
- ⑪ Spacer 墊片 (23x11x18.5)2pcs
- ⑫ Spacer 墊片 (22x11.5x4)2pcs
- ⑬ Spacer 墊片 (17x10.5x10)2pcs
- ⑭ Spacer 墊片 (13x10.5x21)2pcs
- ⑮ Washer 華司 (25x12x2t)2pcs



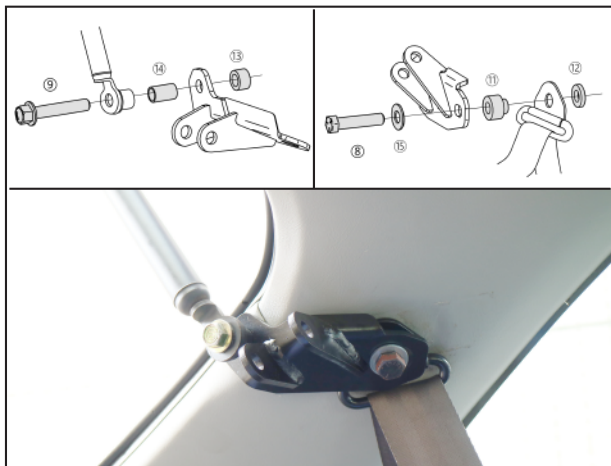
Caution 注意事項

- Installation is recommended to be performed by licensed mechanics with necessary tools to ensure safety. Incorrect installation may cause injury, damage to the product or vehicle.
- Note the routing of wires and cables before installation, or please refer to factory manual.
- Tighten bolts and nuts firmly by using handtools, and with specified torque if mentioned.
- 安裝建議由合格的技師及工具執行以確保安全，安裝錯誤可能對人員、產品及車輛造成傷害。
- 安裝前請事先記下線路的安裝路徑及位置以維持原廠配置，有疑問時請參考原廠手冊。
- 安裝過程請使用手動工具確實鎖緊螺帽及螺絲，如有特別註明請依照說明指示的扭力上鎖。

Instructions 安裝說明

1. Remove the rear seat belt pillar loop & trunk strut from C-pillar. Then Install the upper brackets using the indicated hardware.

將C柱上的後座安全帶固定環及後廂的油壓頂桿卸下，並使用指示的螺絲與配件，將上支架鎖上。



2. Cut openings on the side interior panels where strut towers are located for the center bars to pass through.

在內飾板後避震塔處切出開口，使中間桿安裝時可以穿過連接至避震塔。



Instructions 安裝說明

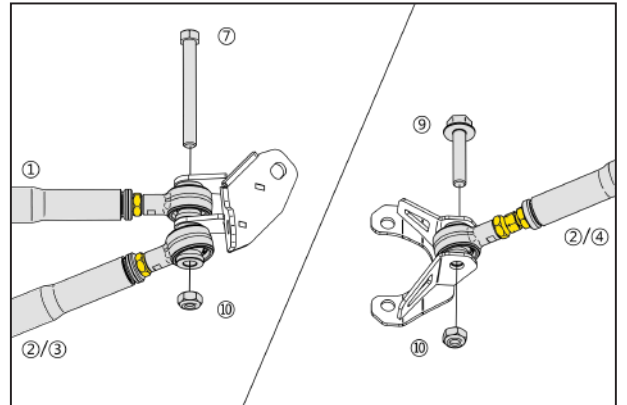
3. Install the lower brackets to the strut tower using the original strut nuts.

使用原廠避震器螺帽，將下支架鎖至避震塔。



4. Assemble the center bars and use the hex adjusters (yellow marked) to set the length of the bars. Then attach the center bars to the brackets using the indicated hardware.

組裝中間桿，並使用調整組(黃色標記處)以設定桿身長度。接著使用指示的螺絲與配件，將中間桿連接至支架上。



5. Illustration of installed state

安裝完成示意圖



Caution 注意事項

- Installation is recommended to be performed by licensed mechanics with necessary tools to ensure safety. Incorrect installation may cause injury, damage to the product or vehicle.
- Note the routing of wires and cables before installation, or please refer to factory manual.
- Tighten bolts and nuts firmly by using handtools, and with specified torque if mentioned.

- 安裝建議由合格的技師及工具執行以確保安全，安裝錯誤可能對人員、產品及車輛造成傷害。
- 安裝前請事先記下線路的安裝路徑及位置以維持原廠配置，有疑問時請參考原廠手冊。
- 安裝過程請使用手動工具確實鎖緊螺帽及螺絲，如有特別註明請依照說明指示的扭力上鎖。