

## Note Before Installation 安裝前須知

- This instruction is for the engine mounts and brackets only. Does not include the guide for any other part of engine swaps.
- If you are installing a K24 engine, you need to get an addition engine bracket from OE to bolt the RH side mount to the engine.  
(Honda OE P/N: 11910-PPA-000)
- 此說明書僅提供引擎腳及支架之安裝說明，不包含引擎移植所須其他項目的指引。
- 若移植引擎為K24，您需額外向原廠購買一引擎腳支架，使右側支架能正確安裝。  
(Honda 原廠料號: 11910-PPA-000)

## Application 適用車型

HONDA CIVIC 96-00

Civic '92-96 or Integra '94-01 subframe required  
須更換為Civic '92-96 或 Integra '94-01 的副車架/工字樑

## Components 內含配件

### RH SIDE 右側 (Accessory/配件包: Q0752-A1)

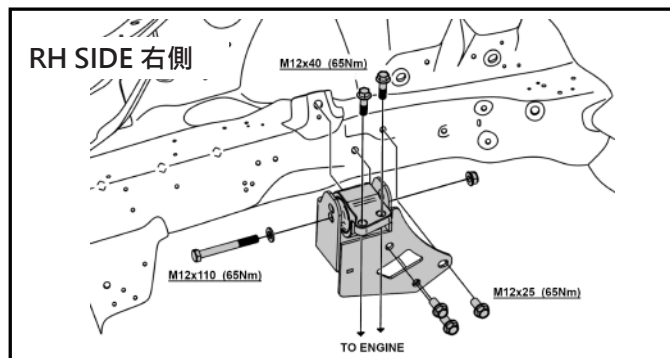
- ① Bracket 支架 .....1pcs
- ② Mount 引擎腳 .....1pcs
- ③ Bolts 螺絲 M12x1.25x110 (Hex 六角).....1pcs  
M12x1.25x40 (Flange 凸緣).....2pcs  
M12x1.25x25 (Flange 凸緣).....3pcs
- ④ Nut 螺帽 M12x1.25-19x13.5 (Flange 凸緣)...1pcs
- ⑤ Washer 華司 24x13x2.6.....1pcs

### LH SIDE 左側 (Accessory/配件包: Q0752-A3)

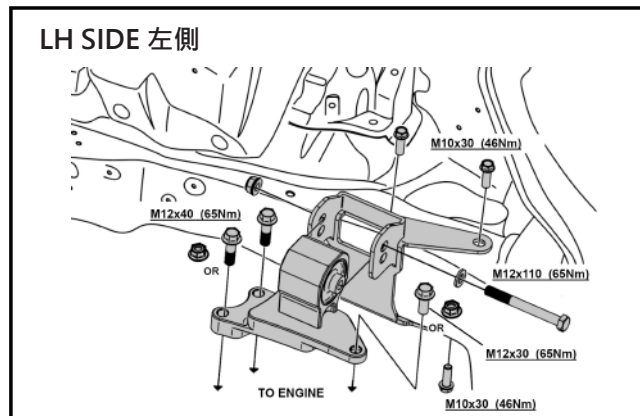
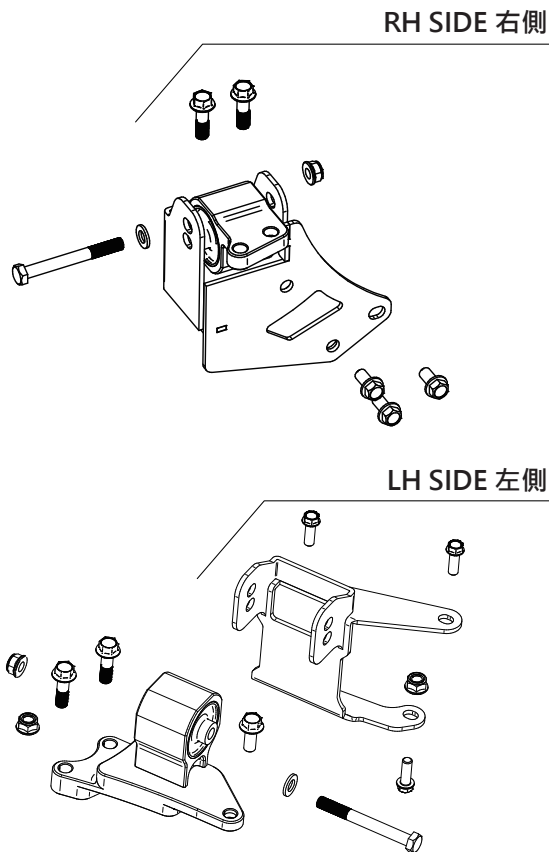
- ① Bracket 支架 .....1pcs
- ② Mount 引擎腳 .....1pcs
- ③ Bolts 螺絲 M12x1.25x110 (Hex 六角).....1pcs  
M12x1.25x40 (Flange 凸緣).....2pcs  
M12x1.25x30 (Flange 凸緣).....1pcs  
M10x1.25x30 (Flange 凸緣).....3pcs
- ④ Nut 螺帽 M12x1.25-19x13.5 (Flange 凸緣)..3pcs
- ⑤ Washer 華司 24x13x2.6.....2pcs

## Instructions 安裝說明

1. See factory service manual. Remove the engine and the transmission from the vehicle.  
請依照原廠維修手冊指示，將引擎及變速箱含相關週邊部件拆下。
2. Install the swap engine mounts and brackets following the below procedures.  
依照以下指示，將轉接支架及引擎腳分別安裝至車輛及引擎。



Install the bracket and mount to the right hand side frame rail and the engine using indicated hardware.  
使用指示螺絲及配件將支架及引擎腳安裝至右側車台大樑及引擎。



Install the bracket and mount to the left hand side frame rail and the engine using indicated hardware.  
使用指示螺絲及配件將支架及引擎腳安裝至左側車台大樑及引擎。

## Caution 注意事項

- Installation is recommended to be performed by licensed mechanics with necessary tools to ensure safety. Incorrect installation may cause injury, damage to the product or vehicle.  
安裝建議由合格的技師及工具執行以確保安全。安裝錯誤可能對人員、產品及車輛造成傷害。
- Note the routing of wires and cables before installation, or please refer to factory manual.  
安裝前請事先記下線路的安裝路徑及位置以維持原廠配置。有疑問時請參考原廠手冊。
- Tighten bolts and nuts firmly by using handtools, and with specified torque if mentioned.  
安裝過程請使用手動工具確實鎖緊螺帽及螺絲。如有特別註明請依照說明指示的扭力上鎖。

### Note Before Installation 安裝前須知

- This instruction is for the engine mounts and brackets only. Does not include the guide for any other part of engine swaps.
- If you are installing a K24 engine, you need to get an addition engine bracket from OE to bolt the RH side mount to the engine.  
(Honda OE P/N: 11910-PPA-000)
- 此說明書僅提供引擎腳及支架之安裝說明，不包含引擎移植所須其他項目的指引。
- 若移植引擎為K24，您需額外向原廠購買一引擎腳支架，使右側支架能正確安裝。  
(Honda 原廠料號: 11910-PPA-000)

### Components 內含配件

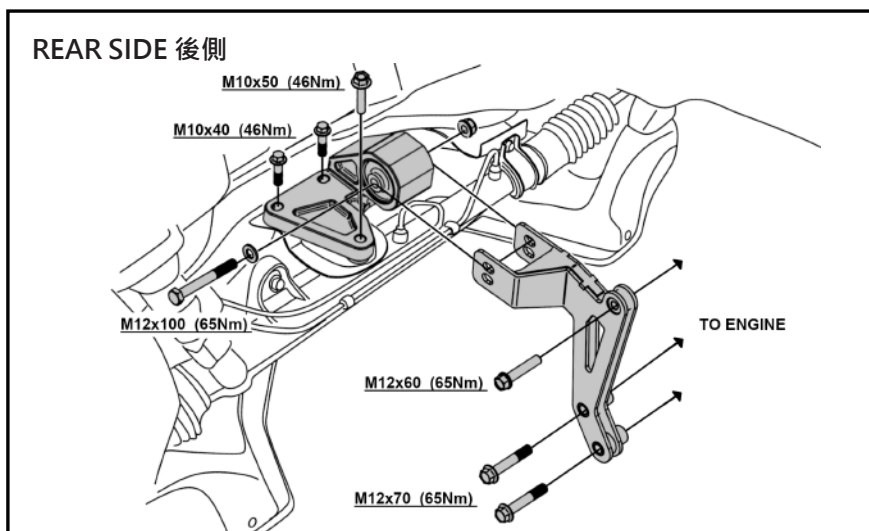
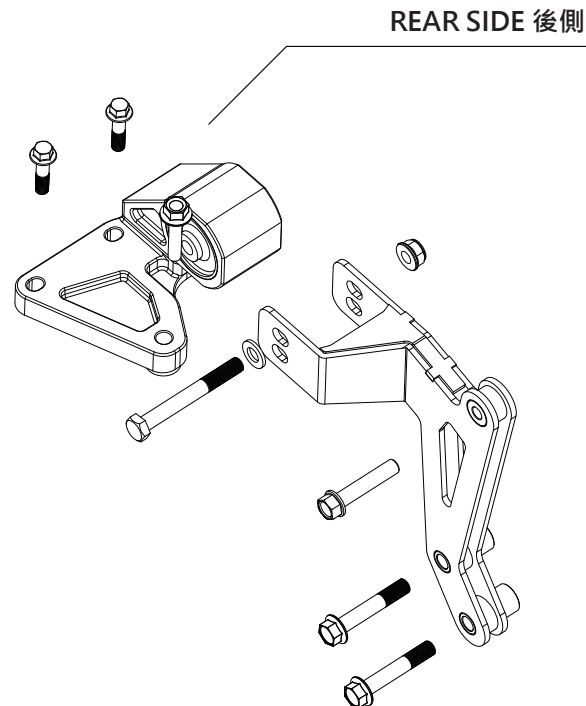
#### REAR SIDE 後側 (Accessory/配件包: Q0752-A2)

- |  |      |
|--|------|
| ① Mount 引擎腳.....                           | 1pcs |
| ② Bracket 支架.....                          | 1pcs |
| ③ Bolts 螺絲 M10x1.25x40 (Flange 凸緣).....    | 2pcs |
| M10x1.25x50 (Flange 凸緣).....               | 1pcs |
| M12x1.25x60 (Flange 凸緣).....               | 1pcs |
| M12x1.25x70 (Flange 凸緣).....               | 2pcs |
| M12x1.25x100 (Hex 六角).....                 | 1pcs |
| ④ Nut 螺帽 M12x1.25-19x13.5 (Flange 凸緣)..... | 1pcs |
| ⑤ Washer 華司 24x13x2.6.....                 | 1pcs |

### Caution 注意事項

- Installation is recommended to be performed by licensed mechanics with necessary tools to ensure safety. Incorrect installation may cause injury, damage to the product or vehicle.  
安裝建議由合格的技師及工具執行以確保安全，安裝錯誤可能對人員、產品及車輛造成傷害。
- Note the routing of wires and cables before installation, or please refer to factory manual.  
安裝前請事先記下線路的安裝路徑及位置以維持原廠配置，有疑問時請參考原廠手冊。
- Tighten bolts and nuts firmly by using handtools, and with specified torque if mentioned.  
安裝過程請使用手動工具確實鎖緊螺帽及螺絲，如有特別註明請依照說明指示的扭力上鎖。

### Instructions 安裝說明



Install the bracket and mount to the subframe and the engine using indicated hardware.  
使用指示螺絲及配件將支架及引擎腳安裝至副車架/工字樑及引擎。

3. Once finished you are ready to fit the engine to the car. Torque down all the hardware to specified value after installation.  
完成後即可將引擎安裝至車輛，並於安裝完成後將所有螺絲配件鎖緊至規範扭力值。

- This kit features two mounting holes on each bracket for engine height adjustment.  
We recommend use the top holes for K20 engines.  
For K24 engines the bottom ones will provide greater hood clearance.

此套件的每一支架皆有兩孔高低可調設計，K20引擎建議使用上端鎖孔，K24引擎則可使用下端鎖孔，使引擎與引擎蓋擁有較大空間。