

Installation Instructions

安裝說明書

REAR SUBFRAME ANTI-VIBRATION INSERT

後車身制震墊片

#Q0852

Application 適用車型

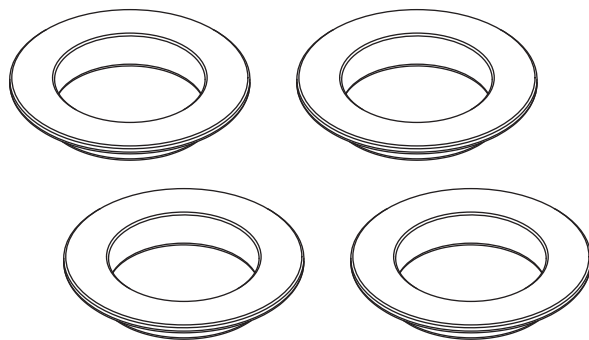
Mazda CX-5 '17- (KF)

Components 內含配件

① Insert 墊片.....4pcs

Caution 注意事項

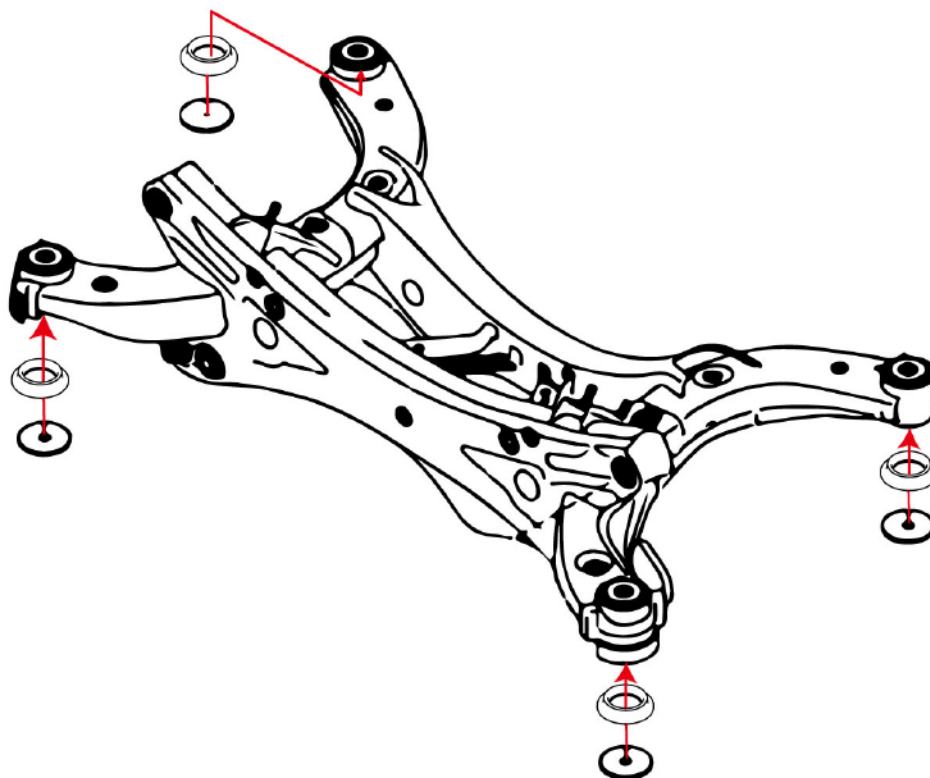
- Installation is recommended to be performed by licensed mechanics with necessary tools to ensure safety. Incorrect installation may cause injury, damage to the product or vehicle.
安裝建議由合格的技師及工具執行以確保安全。安裝錯誤可能對人員、產品及車輛造成傷害。
- Note the routing of wires and cables before installation, or please refer to factory manual.
安裝前請事先記下線路的安裝路徑及位置以維持原廠配置。有疑問時請參考原廠手冊。
- Tighten bolts and nuts firmly by using handtools, and with specified torque if mentioned.
安裝過程請使用手動工具確實鎖緊螺帽及螺絲。如有特別註明請依照說明指示的扭力上鎖。



Instructions 安裝說明

- ▼ Install supplied inserts to indicated location of rear subframe.

請依據圖片，將墊片安裝至後大樑/副車架標示位置。



←FR.