

Installation Instructions

安裝說明書

REAR CAMBER SHIM

後軸角度補正墊片

#Q0542

Application 適用車型

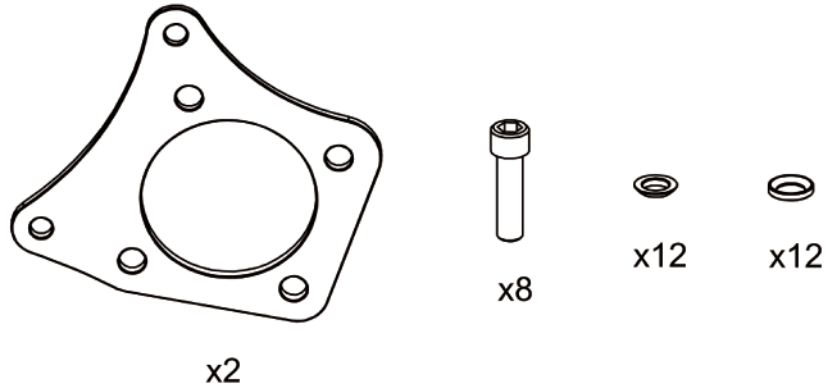
FORD FOCUS MK4

* W/TORSION BEAM REAR SUSPENSION

* 適用扭力樑後懸吊車型

Components 內含配件

- ① Spacer 墊片.....2pcs
- ② Bolt 螺絲 (M12x1.5x40).....8pcs
- ③ Spherical washer-Convex 球形華司-凸.....12pcs
- ④ Spherical washer-Concave 球形華司-凹.....12pcs



Caution 注意事項

- Installation is recommended to be performed by licensed mechanics with necessary tools to ensure safety. Incorrect installation may cause injury, damage to the product or vehicle. 安裝建議由合格的技師及工具執行以確保安全。安裝錯誤可能對人員、產品及車輛造成傷害。
- Note the routing of wires and cables before installation, or please refer to factory manual. 安裝前請事先記下線路的安裝路徑及位置以維持原廠配置。有疑問時請參考原廠手冊。
- Tighten bolts and nuts firmly by using handtools, and with specified torque if mentioned. 安裝過程請使用手動工具確實鎖緊螺帽及螺絲。如有特別註明請依照說明指示的扭力上鎖。

Instructions 安裝說明

1. Raise and safely support the vehicle.
將車向升起。
2. Remove rear wheels.
卸下後輪。
3. Disconnect ABS wires.
將ABS感應線斷開以避免施工時扯斷。
4. Remove brake calipers, disks, hub assemblies (Torx screw) and dust shields.
將煞車卡鉗、碟盤、哈姆 (使用星型螺絲) 及碟盤防塵蓋拆下。
5. Install the spacers to rear axle beam.
將墊片安裝至後樑。
6. Reinstall the dust shields and wheel hub assemblies using supplied bolts and spherical washers. (See figure 2)
使用附件螺絲及球型華司。將防塵蓋及哈姆裝回後樑。(參考圖二)
7. Reinstall brake disks.
將煞車碟盤裝回哈姆。
8. Reinstall brake calipers using factory bolts and supplied spherical washers. (See figure 3)
使用原廠卡鉗螺絲搭配附件球型華司。將卡鉗裝回後樑。(參考圖三)

Note 提示

Factory alignment spec 原廠定位數據

Rear Camber 後輪外傾角: $-1^{\circ}00'$ (LH), $-1^{\circ}00'$ (RH)

Rear Toe 後輪前束角: $0^{\circ}23'$ (LH), $0^{\circ}23'$ (RH)

Corrected alignment spec 修正後定位數據

Rear Camber 後輪外傾角: $-2^{\circ}11'$ (LH), $-2^{\circ}28'$ (RH)

Rear Toe 後輪前束角: $0^{\circ}10'$ (LH), $0^{\circ}01'$ (RH)

*For reference only 數據僅供參考

