

# Installation Instructions

## 安裝說明書

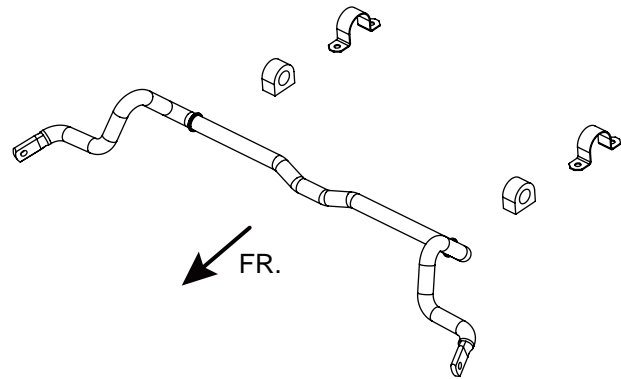
REAR SWAY BAR  
前防傾桿 - 28MM  
#Q0087

### Application 適用車型

Hyundai Elantra AD '16-present

### Components 內含配件

- |                            |      |
|----------------------------|------|
| ① Stabilizer bar 防傾桿桿身     | 1pcs |
| ② Stabilizer bushing 防傾桿橡皮 | 2pcs |
| ③ Bushing clamp 橡皮固定環      | 2pcs |



### Caution 注意事項

- Installation is recommended to be performed by licensed mechanics with necessary tools to ensure proper installation and safety, or damage to the product or vehicle may occur.
- Note the routing and position of wires and cables before installation. Please refer to factory manual.
- Tighten bolts and nuts firmly using handtools, or with specified torque if mentioned.
- 安裝需由合格的專業技師及工具執行以確保安裝正確及安全，否則可能對產品或車輛造成傷害。
- 安裝前請記下線路安裝路徑及位置，或請參考原廠手冊。
- 請使用手動工具確實鎖緊螺帽及螺絲，或依照說明中標註的扭力上鎖。

### Instructions 安裝說明

1. Support front subframe with a jack stand, then unbolt lower control arm ball joints, stabilizer links, steering rack and detach them from the subframe.  
使用千斤頂支撐前副車架，將前下控制臂和尚頭、李仔串及方向機由副車架上卸下。
2. Drop front subframe to access the factory stabilizer bar, then unbolt the bushing clamps to remove the bar.  
將前副車架卸下車輛，拆下防傾桿橡皮固定環螺絲後即可取下原廠防傾桿。
3. Install supplied 2. Stabilizer bushings on both sides of 1. Stabilizer bar. Notice that the bushings should be installed to the inner side of bushing stopper rings.  
使用配件 2. 防傾桿橡皮安裝至 3. 防傾桿桿身，請注意橡皮須安裝於桿身定位環的內側。
4. Fit supplied 3. Bushing clamps to the bushings, then install the new clamps with the bar and bushings to the frame using the original bolts.  
將配件 3. 橡皮固定環裝入橡皮，沿用原廠螺絲將新的固定環連同橡皮及桿身裝回副車架。
5. Once in place, reinstall the subframe, control arm ball joints, stabilizer links and steering rack. Please have the vehicle professionally aligned after installation.  
裝回副車架並將控制臂和尚頭、李仔串及方向機鎖上，請於安裝完成後接受四輪定位校正。

