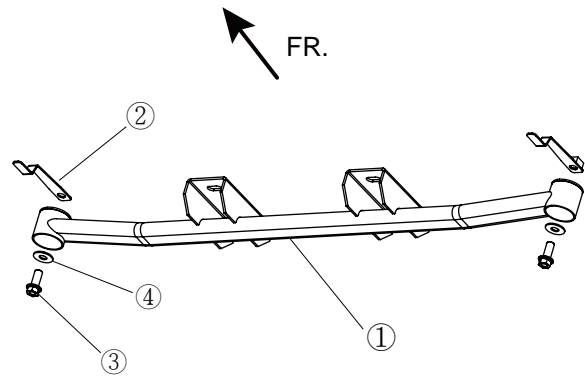


### Application 適用車型

Mazda CX-3 '15-Present

### Components 內含配件

① Middle lower brace 中下拉桿	1PCS
② Bracket 支架	2PCS
③ Bolt 螺絲 ( M10x1.25x25 )	2PCS
④ Washer 華司 ( 26x10.5x2 )	2PCS



### Caution 注意事項

- Installation is recommended to be performed by licensed mechanics with necessary tools to ensure proper installation and safety, or damage to the product or vehicle may occur.
- Note the routing and position of wires and cables before installation. Please refer to factory manual.
- Tighten bolts and nuts firmly using handtools, or with specified torque if mentioned.
- 安裝需由合格的專業技師及工具執行以確保安裝正確及安全，否則可能對產品或車輛造成傷害。
- 安裝前請記下線路安裝路徑及位置，或請參考原廠手冊。
- 請使用手動工具確實鎖緊螺帽及螺絲，或依照說明中標註的扭力上鎖。

### Instructions 安裝說明

1. Jack up the vehicle and remove the factory mid-lower brace.  
將車輛升起，接著將原廠中下拉桿移除。
2. Place supplied ② Brackets into the holes on both sides, then locate ① Middle lower brace according to the holes.  
置入 ② 支架於兩側孔中，並將 ① 中下拉桿依照孔位放置。
3. Tighten the middle part of ① Middle lower brace using the original bolts, and bolt two ends of the brace into the brackets using supplied ③ Bolts and ④ Washers.  
沿用原螺絲鎖上 ① 中下拉桿 的中間部分，接著從拉桿兩端將配件 ③ 螺絲及 ④ 華司鎖入支架。

