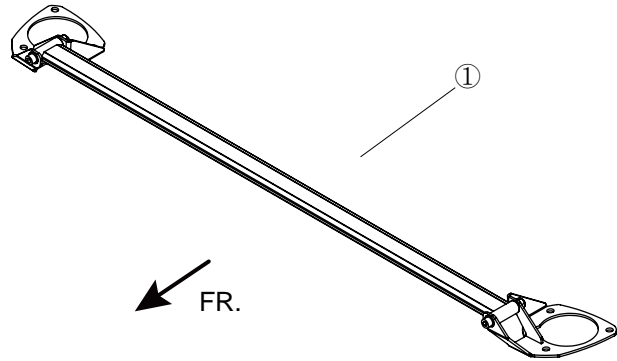


Application 適用車型

Honda CR-V '17-

Components 內含配件

① Strut Brace 引擎室拉桿總成 1PCS



Caution 注意事項

- Installation should be performed by licensed mechanics with necessary skill and tools to ensure safety.
- Before installation, be sure to note the routing, position of all wires and cables. Please refer to factory manual for proper installation.
- Tighten bolts and nuts firmly using handtools, or with specified torque if mentioned.
- 安裝需由合格的專業技師及工具執行，以確保安全。
- 安裝前請記下線路安裝路徑及位置，請參考原廠手冊。
- 請使用手動工具確實鎖緊螺帽及螺絲，或依照說明中標註的扭力上鎖。

Instructions 安裝說明

1. Make sure all wheels are on the ground when performing installation first, then remove the 6 nuts from the strut mounts on both sides.
確認車輛處於四輪著地狀態，接著拆卸兩側避震器上座螺帽共6顆。

2. Position ①Strut Brace over the strut mounts and tighten all the nuts.
將 ①引擎室拉桿 裝上避震器上座，並鎖回避震器上座螺帽。

3. Illustration of installed state.
完成示意圖

