

Installation Guide

安裝說明書

VEHICLE APPLICATIONS
適用車型

VOLKSWAGEN GOLF MK5, A5, Typ 1K 2004-2008
VOLKSWAGEN GOLF MK6, A6, Typ 5K 2009-2013
VOLKSWAGEN GOLF MK7, A7, Typ 5G 2014-

PART NO. 8579

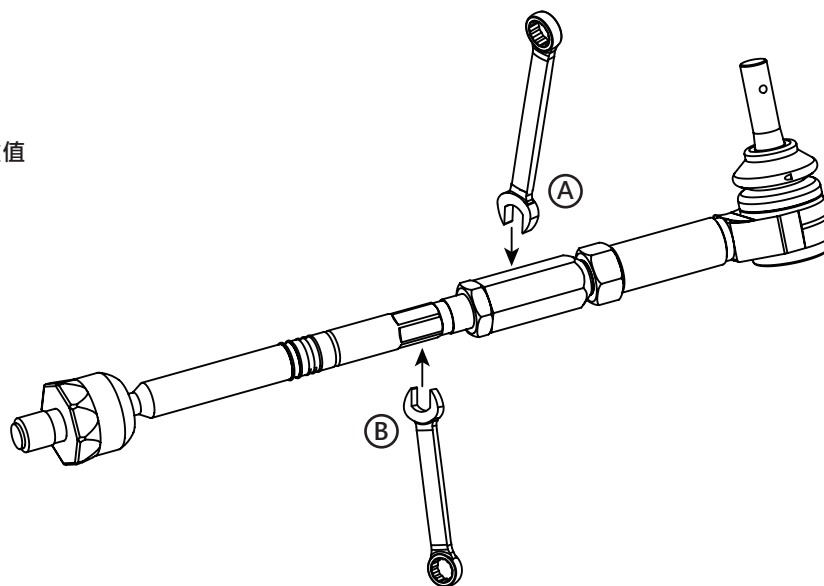
Installation tips 安裝提示

※ Please read the HARDRACE Tech Tips before installing the products.
在安裝之前請詳閱 HARDRACE 技術提示

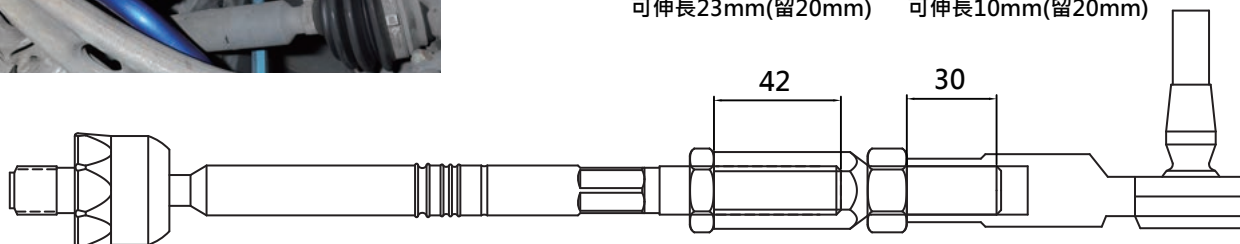
適合極低風格
彌補束角調整範圍

調整步驟

1. 預先調整 (A) 部分，至所需長度
2. (B) 部分，再由定位機上微調束角所需數值



可伸長23mm(留20mm) 可伸長10mm(留20mm)



調整安全範圍32mm以內

Warning 安全提示

Installation should only be performed by licensed mechanics who have the necessary skill and tools to do the job correctly and safely.

安裝需由合格之專業技師及工具執行，以確保安裝過程的正確與安全

When swapping the suspension kits, be sure to note the routing and mounting position of all wires, cables and bolts orientation, certain damage might be caused by reinstalling differently from the original factory position. Please refer to factory manual for proper installation and safety stands.

當更換您車輛的懸吊套件時，請記下您的線組與管線安裝位置，非原廠相同的安裝位置可能會造成元件之損壞，造成車輛的危險。請參考原廠車輛手冊



TEL: +886 3 5370822 FAX: +886 3 5373027
E-MAIL: info@hardrace.com WEBSITE: WWW.HARDRACE.COM

