

Installation Guide

安裝說明書

VEHICLE APPLICATIONS
適用車型

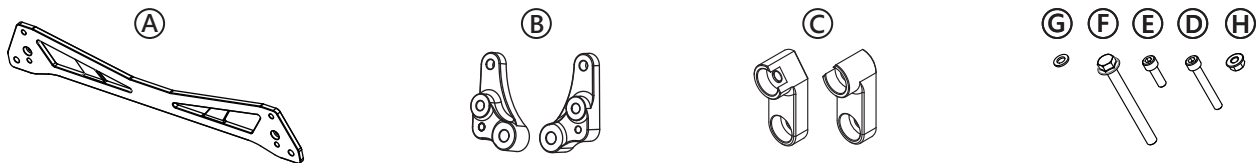
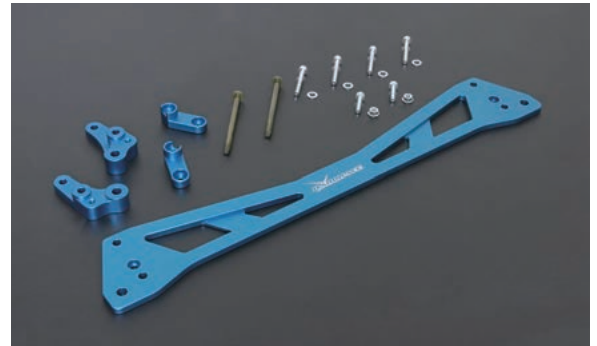
HONDA CIVIC EG 92-95 / DEL SOL 92-97
ACURA INTEGRA DC2 94-01 (NON TYPE-R)

PART NO. 7542

Contents 內含配件

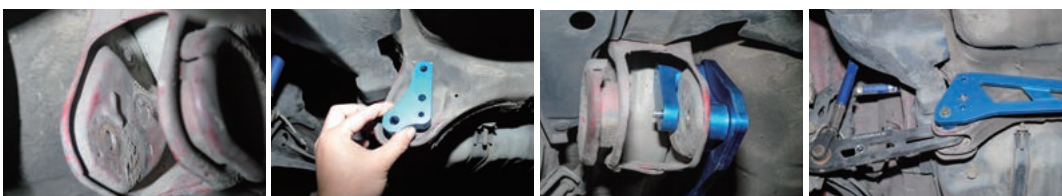
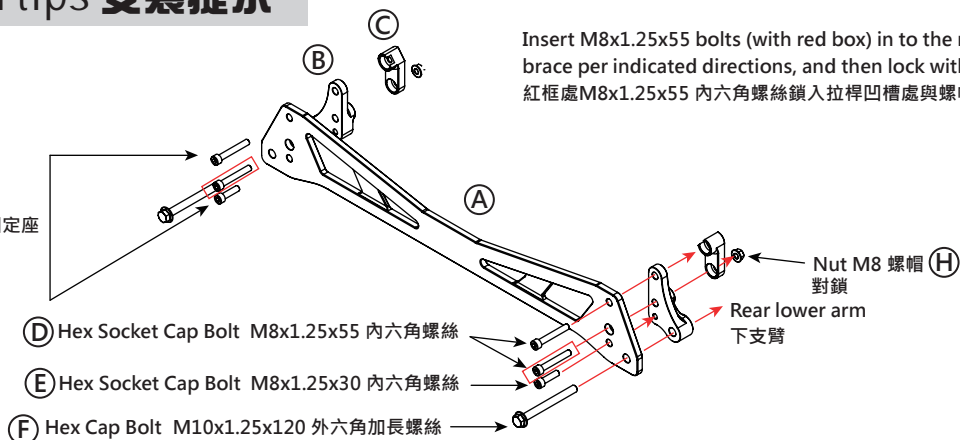
※ Please apply hand tools for installation
安裝過程請使用手動工具

1. (A) Aluminum Brace 鋁合金拉桿 1PCS
2. (B) Middle Fixing Mount 中層固定件 2PCS
3. (C) Inner Fixing Mount 內層固定件 2PCS
4. (D) Hex Socket Cap Bolt M8x1.25x55 內六角螺絲 4PCS
5. (E) Hex Socket Cap Bolt M8x1.25x30 內六角螺絲 2PCS
6. (F) Hex Cap Bolt M10x1.25x120 外六角加長螺絲 2PCS
7. (G) Washer M8 華司 4PCS
8. (H) Nut M8 螺帽 2PCS



Installation tips 安裝提示

Install the stabilizer brackets
with (G)
搭配華司 · 鎖上防傾桿歐姆環固定座



Firstly, apply (D) to assemble the brace with the fixing mounts. After the holes being aligned, install the rear lower arm by using (F).

先使用 (D) 組裝上固定件及拉桿 · 孔位確認對齊後即可將後下支臂裝上 · 使用 (F)



Removal of rear lower arm is suggested for easier installation.
建議安裝前先將後下支臂拆下 · 以便安裝拉桿固定件

Finally, install the rear sway bar : lock (D) on the upper side and (E) on the lower side of the stabilizer brackets.

接著安裝後防傾桿 · 將 (D) 鎖上固定座 "上端"

(E) 鎖上固定座 "下端"

Warning 安全提示

Installation should only be performed by licensed mechanics who have the necessary skill and tools to do the job correctly and safely.

安裝需由合格的專業技師及工具執行 · 以確保安裝過程的正確與安全

When swapping the suspension kits, be sure to note the routing and mounting position of all wires, cables and bolts orientation, certain damage might be caused by reinstalling differently from the original factory position. Please refer to factory manual for proper installation and safety stands.

當更換您車輛的懸吊套件時 · 請記下您的線組與管線安裝位置 · 非原廠相同的安裝位置可能會造成元件之損壞 · 造成車輛的危險 · 請參考原廠車輛手冊



TEL: +886 3 5370822 FAX: +886 3 5373027
E-MAIL: info@hardrace.com WEBSITE: WWW.HARDRACE.COM

